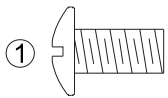
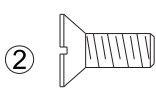


ASSEMBLY - GT4RB

1. Install the Trim brackets Left and Right & Rear



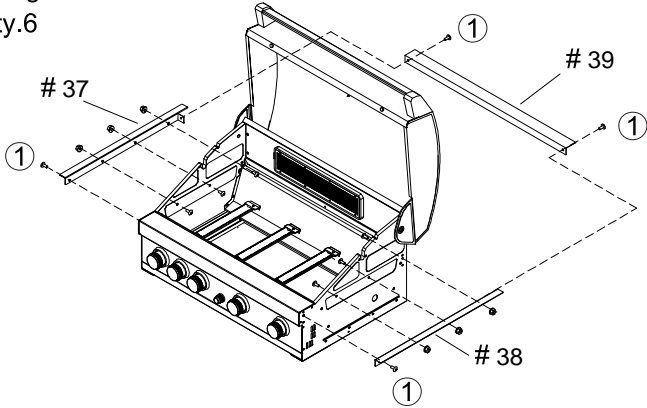
Phillips Head Screw
1/4"x3/8"
Qty.4



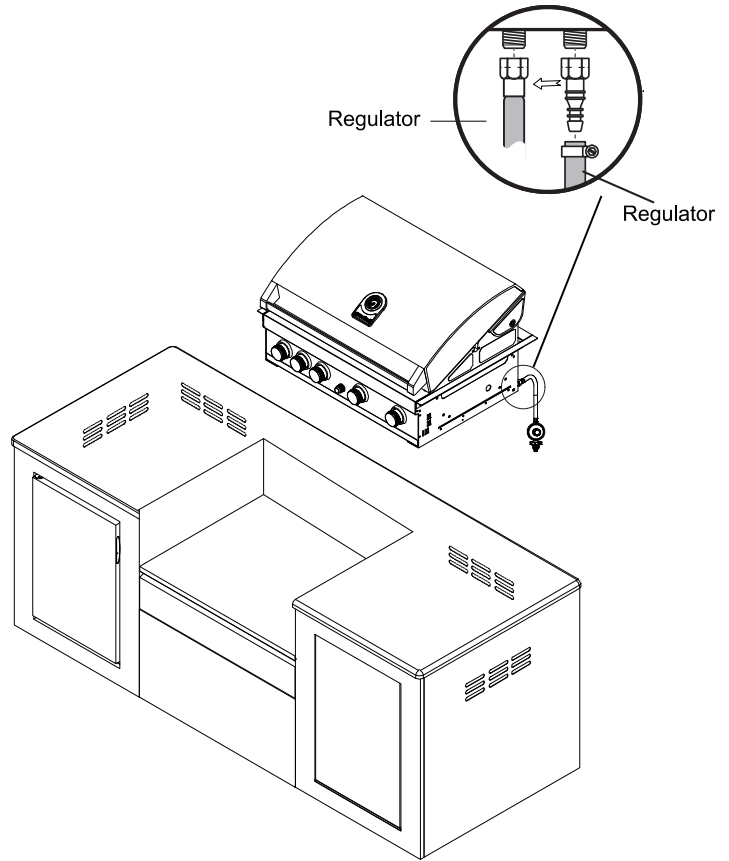
Countersunk Flat Head Screw
1/4"x3/8"
Qty.6



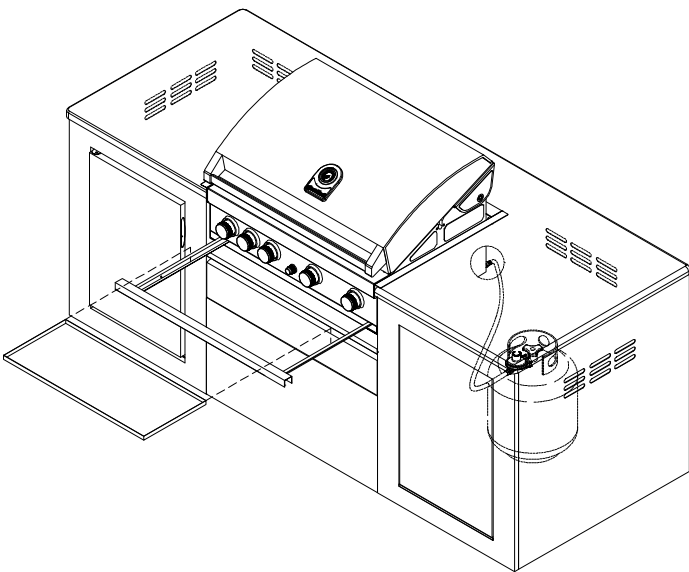
Flange Nut 1/4"
Qty.6



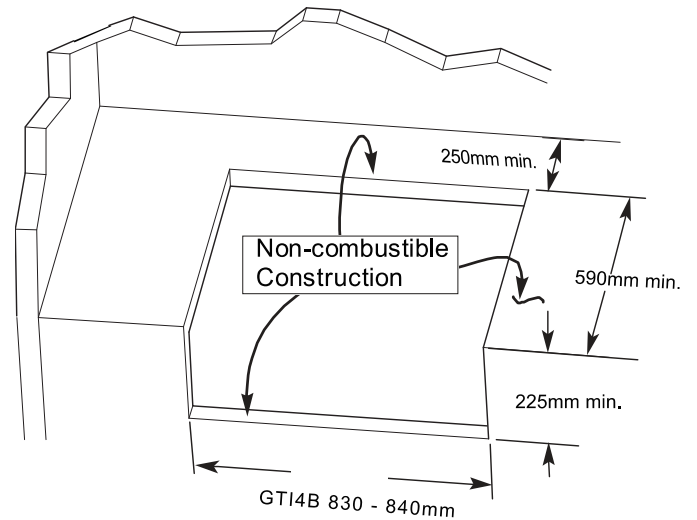
2. Regulator and Install the grill onto the housing .



3. Install Grease Tray



MOUNTING CUT - OUT



Note:the above illustration is for example only.